

DB15-TS-990 Cable

+/- POWER

GND
+13.8V

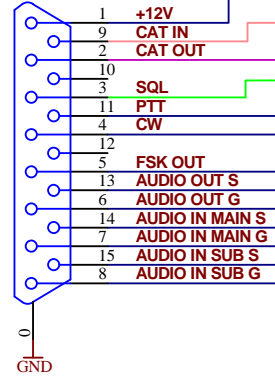
EXTERNAL POWER SUPPLY
Independent of the transceiver!

JUMPERS CONFIG:

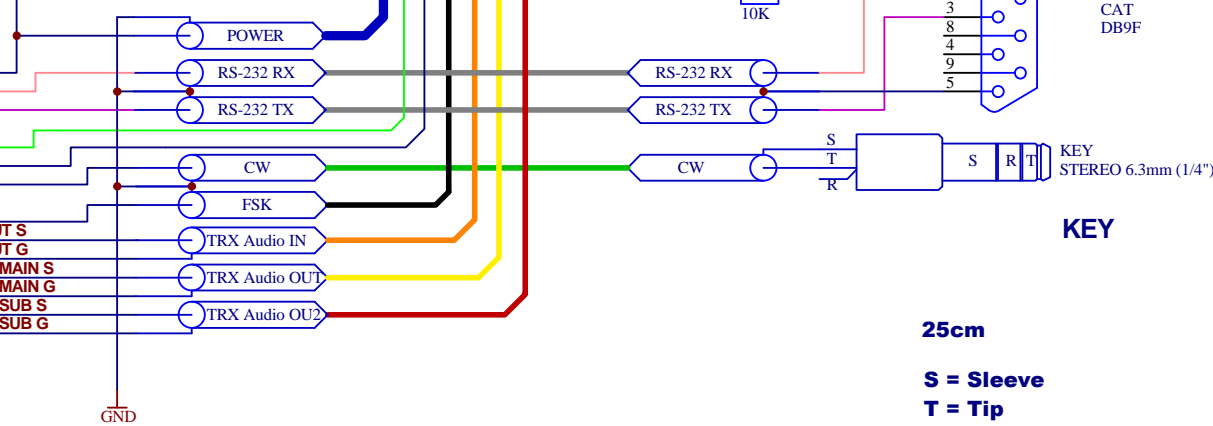


RS232

RADIO



TS-990S



TRX Audio IN

FSK

TRX Audio OUT1

TRX Audio OUT2

COM

CAT
DB9F

KEY

25cm

S = Sleeve
T = Tip
R = Ring

ACC2

ACC2
DIN13M

X

