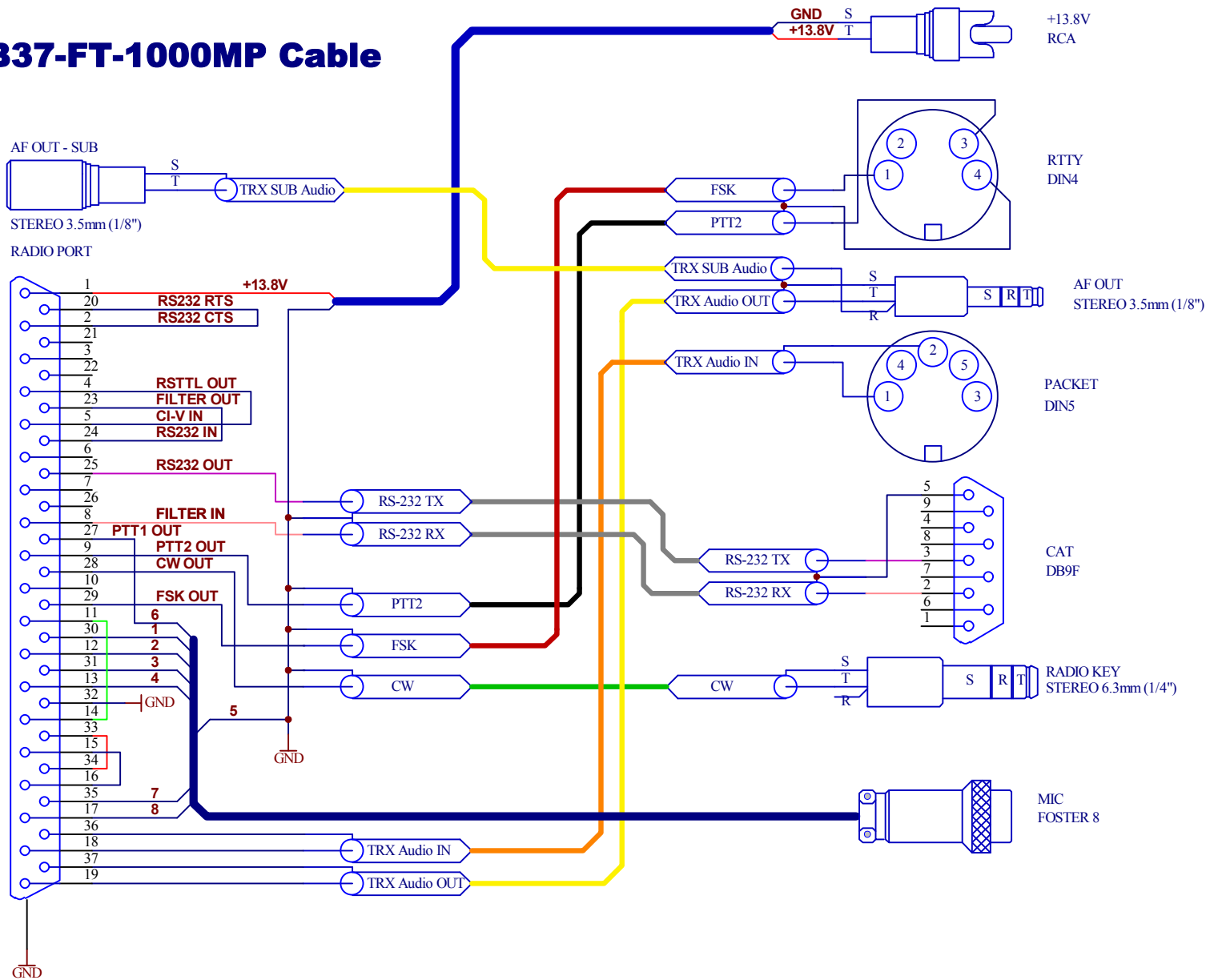


DB37-FT-1000MP Cable



FT- 1000MP, 1000MPmkV, 1000MPmkVField

Notes:

PTT1 is used for CW/SSB, PTT2 for digital modes

**S = Sleeve
T = Tip
R = Ring**