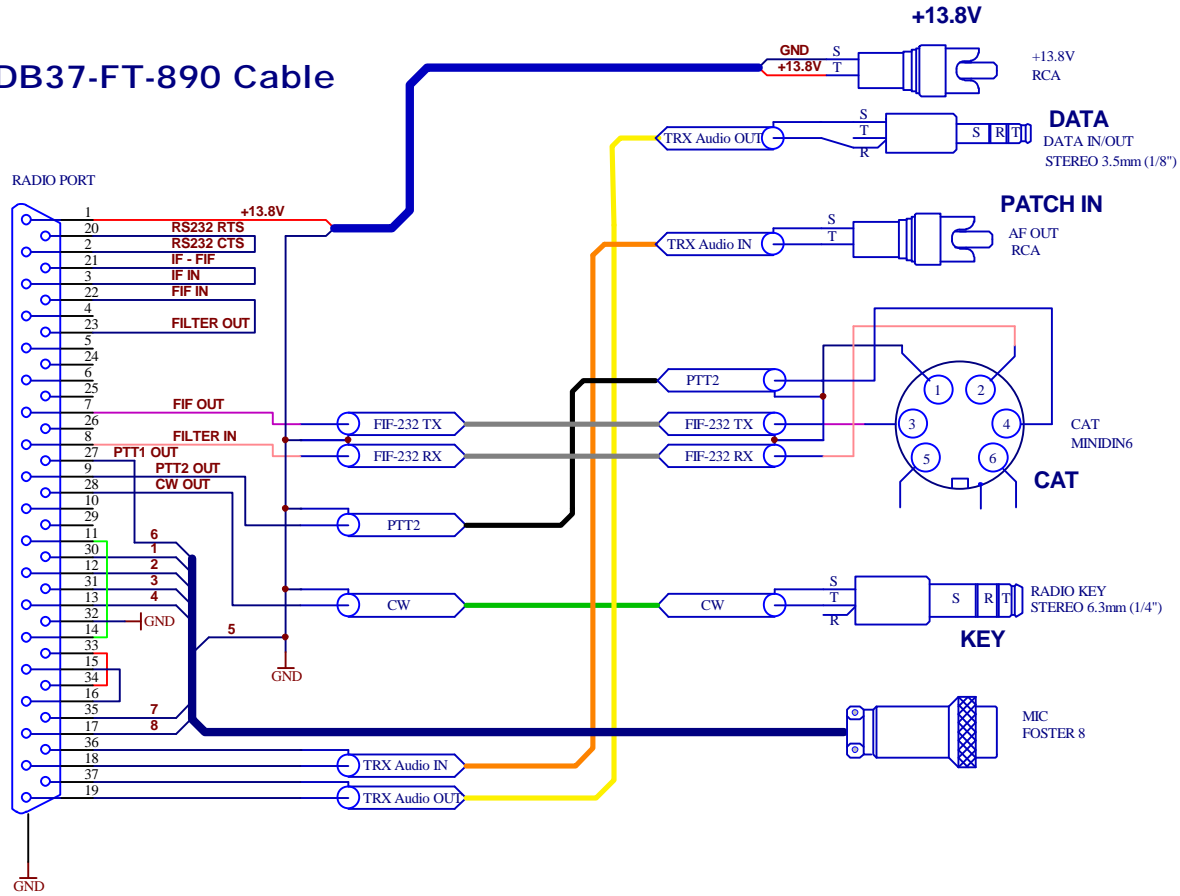


mod. 1/2019 fixed wrong connection of PATH IN and DATA plugs

DB37-FT-890 Cable



FT-890

Notes:

S = Sleeve
T = Tip
R = Ring