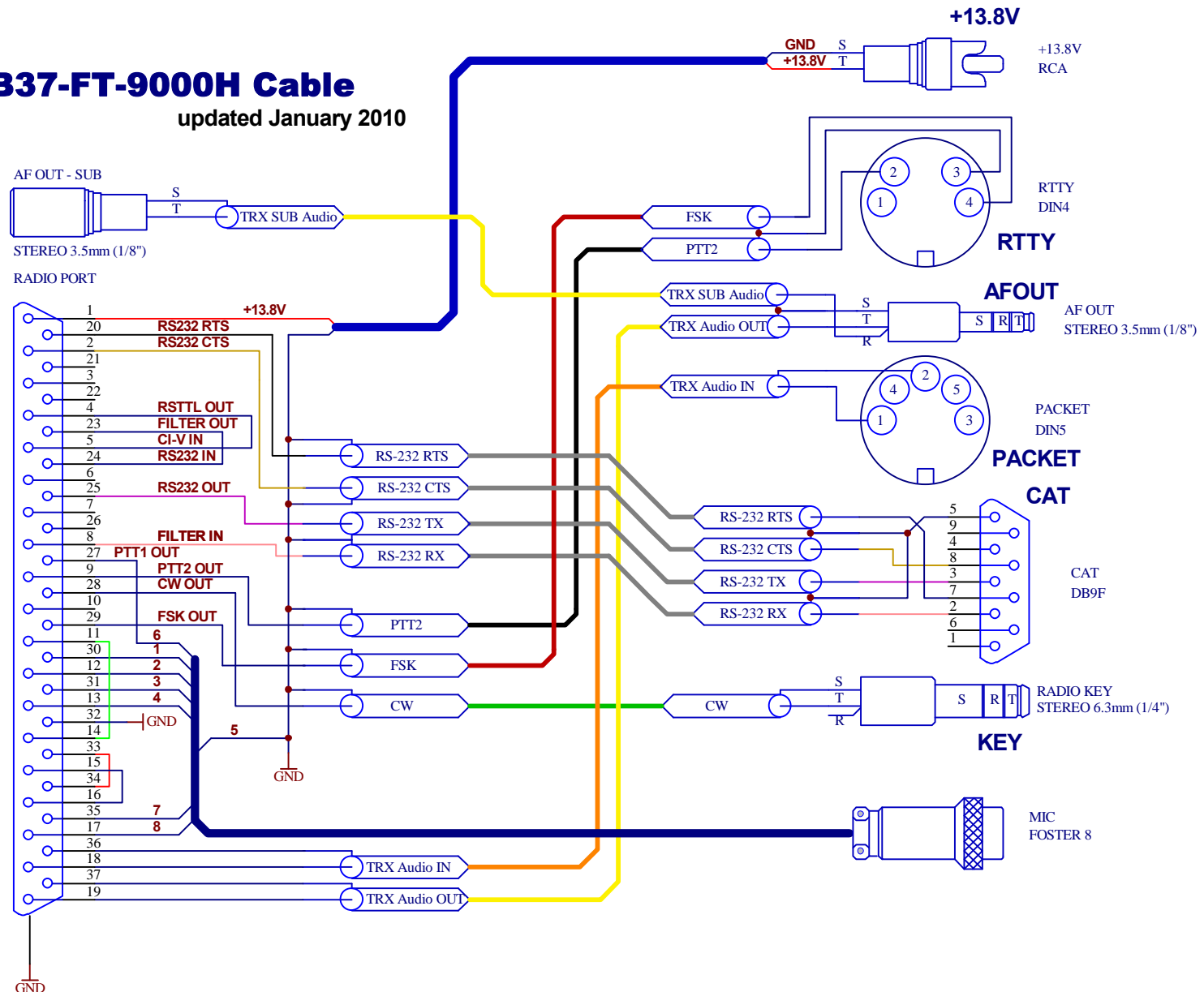


DB37-FT-9000H Cable

updated January 2010



FTDX-9000D, FTDX-9000MP, FTDX-9000Contest

Notes:
PTT1 is used for CW/SSB, PTT2 for digital modes

S = Sleeve
T = Tip
R = Ring