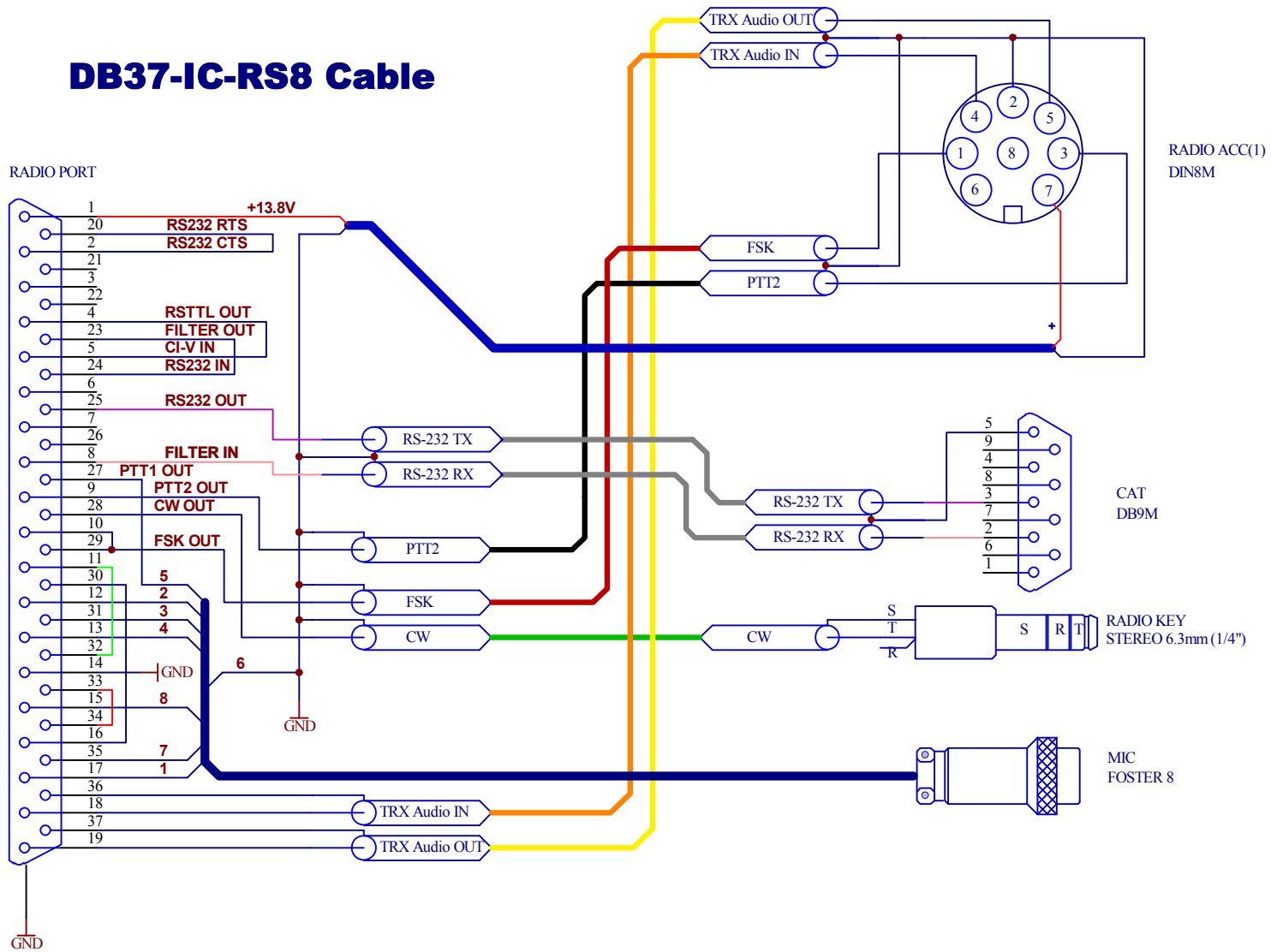


DB37-IC-RS8 Cable



IC-707 IC-725 IC-726 IC-728 IC-729 IC-735 IC-736 IC-737 IC-738 IC-746 IC-746Pro IC-7400 **S = Sleeve**
IC-756 IC-756Pro IC-756ProII IC-761 IC-765 IC-775 IC-7800 IC-781 IC-910 **T = Tip**
R = Ring

Notes: Cable for Icoms with RS232 output instead CI-V. Especially for microHAM Band Decoder